



# ECO-VALVE

## Figure # 206AB

Low Lead Brass Threaded Gate Valve

### Product Features

- 125# WSP / 200# WOG
- Brass Body
- Solid Disc
- Threaded Ends
- Inserted Bonnet
- Non-Rising Stem
- AB1953 Certified

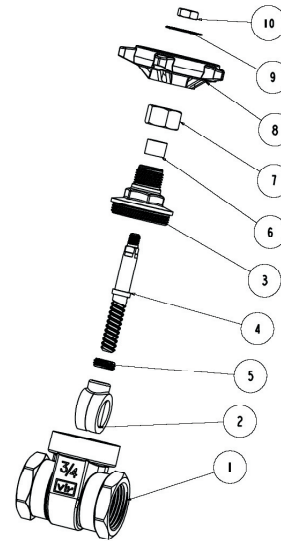


Certified to  
ANSI/NSF 61



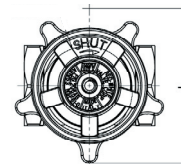
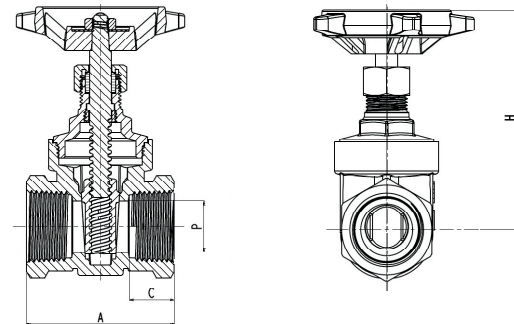
### Materials & Specifications

Item	Description	Material	Specification
1	Body	Low Lead Brass	CW510L
2	Wedge	Low Lead Brass	CW510L
3	Bonnet	Low Lead Brass	CW510L
4	Stem	Low Lead Brass	CW510L
5	Ring	Low Lead Brass	CW510L
6	Packing ring	Graphite	WRAS approved
7	Packing nut	Brass	BS2874 CZ122
8	Handwheel	Aluminum	B85
9	Disc	Aluminum	B85
10	Nut	Zinc Plated Steel	A36



### Dimensions, Weights (inches-lbs.) & Valve Data

Size	1/2	3/4	1	1-1/4	1-1/2	2	2-1/2	3	4
A	1.97	2.12	2.44	2.75	2.84	3.23	3.82	4.36	5.15
C	0.65	0.65	0.78	0.86	0.86	0.86	1.20	1.47	1.79
H	2.79	3.17	3.93	4.37	4.94	6.27	7.57	8.15	10.43
L	2.51	2.51	2.99	3.54	3.54	4.13	6.13	6.13	6.13
P	0.51	0.74	1.00	1.25	1.50	2.00	2.35	3.25	3.80
Cv	10.8	23.0	42.0	72.0	120.0	210.0	TBD	TBD	TBD
Wt	0.53	0.82	1.17	1.83	2.38	4.03	6.90	8.90	15.60



### RED-WHITE VALVE CORP.

20600 Regency Lane, Lake Forest, CA 92630

TEL: 949.859.1010 • FAX: 949.859.7200 • www.redwhitevalvecorp.com